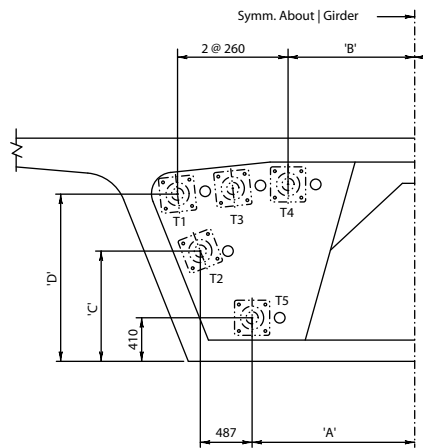
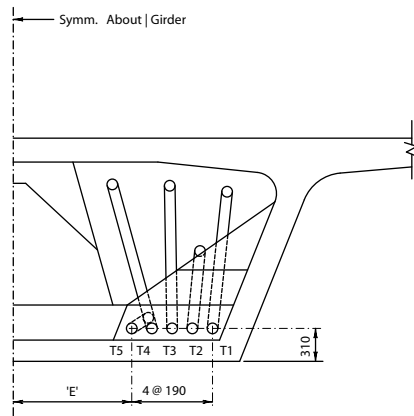


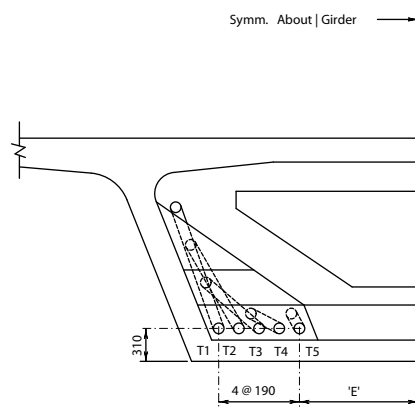
ELEVATION



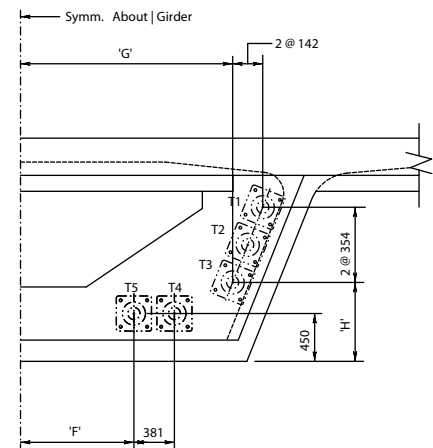
SECTION A-A



SECTION B-B



SECTION C-C



SECTION D-D

SIDE I	Section Type	'A' (mm)	'B' (mm)	'C' (mm)	'D' (T1) (mm)	'D' (T3) (mm)	'D' (T4) (mm)
	1800-1	1,650	1,192	737	1,273	1,327	1,365
1800-2	2,196	1,738	737	1,273	1,327	1,365	
2100-1	1,530	1,192	1,037	1,573	1,627	1,665	
2100-2	2,076	1,738	1,037	1,573	1,627	1,665	
2400-1	1,410	1,192	1,337	1,873	1,927	1,965	
2400-2	1,956	1,738	1,337	1,873	1,927	1,965	

SIDE II	Section Type	'A' (mm)	'B' (mm)	'C' (mm)	'D' (T1) (mm)	'D' (T3) (mm)	'D' (T4) (mm)
	1800-1	1,390	932	737	1,300	1,354	1,365
1800-2	1,936	1,478	737	1,300	1,354	1,365	
2100-1	1,270	932	1,037	1,600	1,654	1,665	
2100-2	1,816	1,478	1,037	1,600	1,654	1,665	
2400-1	1,150	932	1,337	2,100	1,954	1,965	
2400-2	1,696	1,478	1,337	2,100	1,954	1,965	

Section Type	'E' (mm)
1800-1	1,235
1800-2	1,781
2100-1	1,115
2100-2	1,661
2400-1	995
2400-2	1,541

Section Type	'F' (mm)	'G' (mm)	'H' (mm)
1800-1	1,658	1,996	442
1800-2	2,168	2,542	442
2100-1	1,448	1,996	742
2100-2	2,048	2,542	742
2400-1	1,328	1,996	1,042
2400-2	1,928	2,542	1,042

AASHTO - PCI - ASBI
SEGMENTAL BOX GIRDER STANDARDS

FOR SPAN-BY-SPAN CONSTRUCTION
SPANS 30.5 TO 45.7 METERS

POST-TENSIONING LAYOUT